



# COLOSSUS INDUSTRIAL HVLS FAN

## PRODUCT SPECIFICATIONS

HIGH VOLUME LOW SPEED FAN



### Design Highlights

- Optimized 5-blade profile for low speed rotary airfoil application and near ground effect
- Large “Air Current Depth” - horizontal floor jet of 3-9 ft (1-3 m)
- NACA airfoil profile reduces drag while producing more airflow
- Standard black corrosion-resistant anodized blades
- Fan Safety System incorporates steel hub, aircraft-grade safety cable and guy wires
- Patent pending aluminum hub and blade support system
- High efficiency Variable Frequency Drive (VFD)
- Less than 55 dBA\*
- Adjustable speed control panel with forward/off/reverse switch, self-diagnostics and 4 digit pass code protection
- Aerodynamic blade winglets with patent-pending design
- Supplied with 25 feet of Power Cable pre-wired to fan motor (connection to power source by others)
- Fused disconnect
- Patented facility fire system compatibility (can be daisy chained)
- ULC 507 Approved (Entire Fan)

\*Results of sound measurement in the field may vary due to variations in surface types, environment and conditions.

### Motor Size

- 1.5 HP (All Blade Sizes except 24FT)
- 2 HP (24 FT/7.3 M Blades Only)

### Fan Diameter

- 8 FT (2.4 M)
- 10 FT (3.0 M)
- 12 FT (3.7 M)
- 14 FT (4.3 M)
- 16 FT (4.9 M)
- 18 FT (5.5 M)
- 20 FT (6.1 M)
- 24 FT (7.3 M)

### Available Options

- Mounting Extension \_\_\_\_\_FT / M
- Extra Wide Beam Plate \_\_\_\_\_FT / M
- Powder Coated Blades \_\_\_\_\_
- Custom Powder Coated Frame & Mount
- Fire Control Panel (Standard & Networked Fans)
- Multiple Fan Remote (2–6)
- iFan 4.3
- iFan 7.0
- BAS Integration
- Slave Remote

### Project Information

Job Name \_\_\_\_\_  
 Address \_\_\_\_\_  
 General Contractor \_\_\_\_\_  
 Distributor \_\_\_\_\_  
 Model \_\_\_\_\_ Quantity \_\_\_\_\_ Voltage/Phase \_\_\_\_\_

### Certified For Construction

By \_\_\_\_\_  
 Company \_\_\_\_\_  
 Address \_\_\_\_\_  
 Date \_\_\_\_\_



E506041

EPS-CIHVLS-0420

# COLOSSUS INDUSTRIAL HVLS FAN

## PRODUCT SPECIFICATIONS

### HIGH VOLUME LOW SPEED FAN

| Construction              |  |
|---------------------------|--|
| Frame                     | Black Powder Coat / Welded Steel Fabrication |
| Hub Assembly              | 6061-T6 Aluminum                             |
| Blade Struts (Invertible) | Clear Zinc / High Tensile Steel              |
| Blades                    | Anodized / 6063-T6 Aluminum                  |
| Blade End Winglets        | Aluminum 3003-H14                            |

| Safety Components    |   |
|----------------------|---|
| Steel Hub Plate      |   |
| Safety Cable         | Galvanized 1/4" x 7 x 19 Steel Aircraft Grade Cable |
| Guy Wires            | Galvanized 1/8" x 7 x 19 Steel Aircraft Grade Cable |
| Rotor Retaining Ring | Zinc Plated / 3/16 A569 Steel                       |

| Mounting Hardware                          |  |
|--|--|
| Standard Mount                             | Universal I-Beam Clamp w/ Swivel Joint & 7" Drop |
| Laminated Wood Beam Clamp (Optional)       | Brackets   |
| Extra Wide / Thick I-Beam Mount (Optional) | Consult Factory                                  |
| Additional Drop Extensions (Optional)      | Up to 10 FT in 1 FT Increments                   |

| Source Voltage                             |                                       |
|--|---------------------------------------|
| Standard Power                             | 208-230V 1Ø or 3Ø, 460-480V, 575V 3Ø* |
| *Requires additional transformer enclosure |                                       |

| Gearbox and Motor                               |                 |
|---|-----------------|
| Enclosure / Insulation Class / Efficiency Class | IP55 / F / IE3  |
| Type  | 2-Stage Helical |
| Service Interval                                | Lubed For Life  |

| VFD Assembly               |                                  |
|----------------------------|----------------------------------|
| Enclosure                  | NEMA 1                           |
| Remote CAT 5E Cable        | 1 - 100 Feet / 30.48 Meters      |
| 50hz Operation (Optional)  | (Not included with iFAN™ option) |
| Disconnect                 | Panel Mount, UL/CE               |
| UL Certified               |                                  |
| *Internal Fusing Included* |                                  |

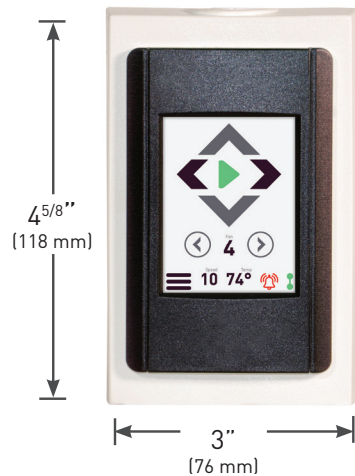
| Fan Control Station |                   |
|---------------------|-------------------|
| Type                | Touchscreen LCD   |
| Connection          | CAT 5E (provided) |
| Mounting            | STD Wall J-Box    |

| Warranty                                 |                        |
|--|------------------------|
| Lifetime Warranty on Blades, Hub & Frame | 15-Year Mechanical     |
| 15-Year Non Pro Rated                    | 7-Year Electrical      |
| 1-Year Labor                             | 1-Year on all Controls |

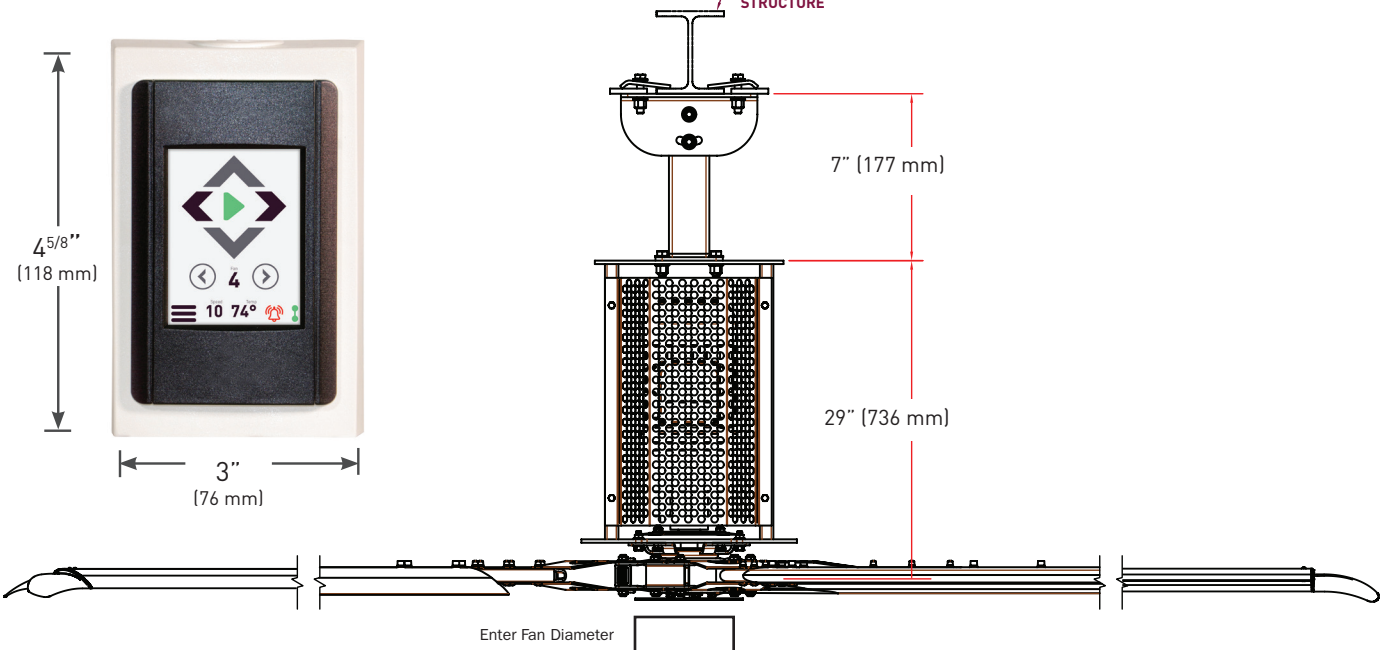
| Fan Size     | Hanging Weight    | Normal Industrial Spacing | RPM |
|--------------|-------------------|---------------------------|-----|
| 8 FT 1.5 HP  | 164 lbs. [73 kg]  | 55 feet                   | 198 |
| 10 FT 1.5 HP | 173 lbs. [82 kg]  | 60 feet                   | 154 |
| 12 FT 1.5 HP | 181 lbs. [86 kg]  | 65 feet                   | 125 |
| 14 FT 1.5 HP | 189 lbs. [86 kg]  | 70 feet                   | 106 |
| 16 FT 1.5 HP | 198 lbs. [94 kg]  | 90 feet                   | 92  |
| 18 FT 1.5 HP | 206 lbs. [101 kg] | 95 feet                   | 81  |
| 20 FT 1.5 HP | 214 lbs. [105 kg] | 100 feet                  | 72  |
| 24 FT 2 HP   | 231 lbs. [107 kg] | 110 feet                  | 60  |

### NOTICE

For more complete information on the application, proper use, maintenance and warranties for this product, please go to [www.epicfan.com](http://www.epicfan.com)



BUILDING STRUCTURE



1612 Hutton Drive, Suite 140 • Carrollton, TX 75006, USA • Tel: 866-696-2464 • Fax: 972-389-4224 • Email: hvlsfans@entrematic.com • www.epicfan.com

A continuing research program is in effect at Entrematic. We reserve the right to incorporate product improvement at any time without prior notice. US patents pending.

©Entrematic Group AB 2020. All Rights Reserved.

E506041  
EPS-CIHVLS-0420

# COLOSSUS INDUSTRIAL HVLS FAN

## PRODUCT SPECIFICATIONS

### HIGH VOLUME LOW SPEED FAN

| Fan Size / Impeller Diameter | Calculated % of Max CFM | CFM<br>*Tested to ANSI/AMCA Standard 230-15 HVLS* | Fan RPM | Input Power     | Voltage / Phase / Frequency | Input Power W | Direction of Operation (Forward / Reverse) | Stand By Power | Integrated Efficiency (CFM / Watt)<br>Overall Rating = 61.36 |
|------------------------------|-------------------------|---|---------|-----------------|-----------------------------|---------------|--|----------------|--|
|                              |                         |   |         |                 | 480 V / 3 PHASE             |               |  |                |  |
| 8'                           | 100%                    | 40,089  | 198     | 480 V / 3 PHASE | 480 / 3 / 60                | 866           | FORWARD                                    | 11.1 W         | 46.26  |
| 8'                           | 80%                     | 32,116  | 158     | 480 V / 3 PHASE | 480 / 3 / 60                | 533           | FORWARD                                    | 11.1 W         | 60.19  |
| 8'                           | 60%                     | 24,746  | 119     | 480 V / 3 PHASE | 480 / 3 / 60                | 324           | FORWARD                                    | 11.1 W         | 76.36  |
| 8'                           | 40%                     | 17,417  | 80      | 480 V / 3 PHASE | 480 / 3 / 60                | 195           | FORWARD                                    | 11.1 W         | 88.99  |
| 8'                           | 20%                     | 11,514  | 39      | 480 V / 3 PHASE | 480 / 3 / 60                | 120           | FORWARD                                    | 11.1 W         | 95.61  |

| Fan Size / Impeller Diameter | Calculated % of Max CFM | CFM<br>*Tested to ANSI/AMCA Standard 230-15 HVLS* | Fan RPM | Input Power     | Voltage / Phase / Frequency | Input Power W | Direction of Operation (Forward / Reverse) | Stand By Power | Integrated Efficiency (CFM / Watt)<br>Overall Rating = 91.48 |
|------------------------------|-------------------------|---|---------|-----------------|-----------------------------|---------------|--|----------------|--|
|                              |                         |   |         |                 | 480 V / 3 PHASE             |               |  |                |  |
| 10'                          | 100%                    | 58,763  | 153     | 480 V / 3 PHASE | 480 / 3 / 60                | 923           | FORWARD                                    | 10 W           | 63.65  |
| 10'                          | 81%                     | 48,132  | 124     | 480 V / 3 PHASE | 480 / 3 / 60                | 573           | FORWARD                                    | 10 W           | 83.91  |
| 10'                          | 61%                     | 38,315  | 94      | 480 V / 3 PHASE | 480 / 3 / 60                | 350           | FORWARD                                    | 10 W           | 109.22   |
| 10'                          | 39%                     | 24,164  | 59      | 480 V / 3 PHASE | 480 / 3 / 60                | 170           | FORWARD                                    | 10 W           | 141.53   |
| 10'                          | 19%                     | 26,286  | 29      | 480 V / 3 PHASE | 480 / 3 / 60                | 110           | FORWARD                                    | 10 W           | 237.84   |

| Fan Size / Impeller Diameter | Calculated % of Max CFM | CFM<br>*Tested to ANSI/AMCA Standard 230-15 HVLS* | Fan RPM | Input Power     | Voltage / Phase / Frequency | Input Power W | Direction of Operation (Forward / Reverse) | Stand By Power | Integrated Efficiency (CFM / Watt)<br>Overall Rating = 112.13 |
|------------------------------|-------------------------|---|---------|-----------------|-----------------------------|---------------|--|----------------|---|
|                              |                         |   |         |                 | 480 V / 3 PHASE             |               |  |                |   |
| 12'                          | 100%                    | 81,357  | 124     | 480 V / 3 PHASE | 480 / 3 / 60                | 1,002         | FORWARD                                    | 10.37 W        | 81.13   |
| 12'                          | 81%                     | 65,169  | 100     | 480 V / 3 PHASE | 480 / 3 / 60                | 606           | FORWARD                                    | 10.37 W        | 107.41  |
| 12'                          | 59%                     | 48,371  | 73      | 480 V / 3 PHASE | 480 / 3 / 60                | 331           | FORWARD                                    | 10.37 W        | 145.91  |
| 12'                          | 40%                     | 33,803  | 50      | 480 V / 3 PHASE | 480 / 3 / 60                | 194           | FORWARD                                    | 10.37 W        | 173.97  |
| 12'                          | 19%                     | 24,326  | 24      | 480 V / 3 PHASE | 480 / 3 / 60                | 110           | FORWARD                                    | 10.37 W        | 219.53  |

| Fan Size / Impeller Diameter | Calculated % of Max CFM | CFM<br>*Tested to ANSI/AMCA Standard 230-15 HVLS* | Fan RPM | Input Power     | Voltage / Phase / Frequency | Input Power W | Direction of Operation (Forward / Reverse) | Stand By Power | Integrated Efficiency (CFM / Watt)<br>Overall Rating = 132.36 |
|------------------------------|-------------------------|---|---------|-----------------|-----------------------------|---------------|--|----------------|---|
|                              |                         |   |         |                 | 480 V / 3 PHASE             |               |  |                |   |
| 14'                          | 100%                    | 106,317   | 106     | 480 V / 3 PHASE | 480 / 3 / 60                | 1,138         | FORWARD                                    | 10.4 W         | 93.40   |
| 14'                          | 81%                     | 86,853  | 86      | 480 V / 3 PHASE | 480 / 3 / 60                | 693           | FORWARD                                    | 10.4 W         | 125.30  |
| 14'                          | 60%                     | 67,667  | 64      | 480 V / 3 PHASE | 480 / 3 / 60                | 398           | FORWARD                                    | 10.4 W         | 169.84  |
| 14'                          | 41%                     | 45,112  | 43      | 480 V / 3 PHASE | 480 / 3 / 60                | 196           | FORWARD                                    | 10.4 W         | 229.93  |
| 14'                          | 21%                     | 31,414  | 22      | 480 V / 3 PHASE | 480 / 3 / 60                | 112           | FORWARD                                    | 10.4 W         | 279.57  |

| Fan Size / Impeller Diameter | Calculated % of Max CFM | CFM<br>*Tested to ANSI/AMCA Standard 230-15 HVLS* | Fan RPM | Input Power     | Voltage / Phase / Frequency | Input Power W | Direction of Operation (Forward / Reverse) | Stand By Power | Integrated Efficiency (CFM / Watt)<br>Overall Rating = 159.25 |
|------------------------------|-------------------------|---|---------|-----------------|-----------------------------|---------------|--|----------------|---|
|                              |                         |   |         |                 | 480 V / 3 PHASE             |               |  |                |   |
| 16'                          | 100%                    | 133,147   | 91      | 480 V / 3 PHASE | 480 / 3 / 60                | 1,197         | FORWARD                                    | 10 W           | 111.17  |
| 16'                          | 81%                     | 107,690   | 74      | 480 V / 3 PHASE | 480 / 3 / 60                | 710           | FORWARD                                    | 10 W           | 151.49  |
| 16'                          | 60%                     | 80,349  | 55      | 480 V / 3 PHASE | 480 / 3 / 60                | 371           | FORWARD                                    | 10 W           | 216.50  |
| 16'                          | 40%                     | 53,646  | 36      | 480 V / 3 PHASE | 480 / 3 / 60                | 191           | FORWARD                                    | 10 W           | 279.72  |
| 16'                          | 20%                     | 39,184  | 18      | 480 V / 3 PHASE | 480 / 3 / 60                | 118           | FORWARD                                    | 10 W           | 331.07  |

| Fan Size / Impeller Diameter | Calculated % of Max CFM | CFM<br>*Tested to ANSI/AMCA Standard 230-15 HVLS* | Fan RPM | Input Power     | Voltage / Phase / Frequency | Input Power W | Direction of Operation (Forward / Reverse) | Stand By Power | Integrated Efficiency (CFM / Watt)<br>Overall Rating = 182.02 |
|------------------------------|-------------------------|---|---------|-----------------|-----------------------------|---------------|--|----------------|---|
|                              |                         |   |         |                 | 480 V / 3 PHASE             |               |  |                |   |
| 18'                          | 100%                    | 159,767   | 81      | 480 V / 3 PHASE | 480 / 3 / 60                | 1,252         | FORWARD                                    | 11.1 W         | 127.61  |
| 18'                          | 80%                     | 129,904   | 65      | 480 V / 3 PHASE | 480 / 3 / 60                | 746           | FORWARD                                    | 11.1 W         | 173.92  |
| 18'                          | 59%                     | 94,231  | 48      | 480 V / 3 PHASE | 480 / 3 / 60                | 363           | FORWARD                                    | 11.1 W         | 259.27  |
| 18'                          | 40%                     | 64,605  | 32      | 480 V / 3 PHASE | 480 / 3 / 60                | 197           | FORWARD                                    | 11.1 W         | 326.75  |
| 18'                          | 21%                     | 40,156  | 17      | 480 V / 3 PHASE | 480 / 3 / 60                | 113           | FORWARD                                    | 11.1 W         | 353.58  |

| Fan Size / Impeller Diameter | Calculated % of Max CFM | CFM<br>*Tested to ANSI/AMCA Standard 230-15 HVLS* | Fan RPM | Input Power     | Voltage / Phase / Frequency | Input Power W | Direction of Operation (Forward / Reverse) | Stand By Power | Integrated Efficiency (CFM / Watt)<br>Overall Rating = 204.03 |
|------------------------------|-------------------------|---|---------|-----------------|-----------------------------|---------------|--|----------------|---|
|                              |                         |   |         |                 | 480 V / 3 PHASE             |               |  |                |   |
| 20'                          | 100%                    | 189,582   | 72      | 480 V / 3 PHASE | 480 / 3 / 60                | 1,311         | FORWARD                                    | 8 W            | 144.56  |
| 20'                          | 81%                     | 150,935   | 58      | 480 V / 3 PHASE | 480 / 3 / 60                | 742           | FORWARD                                    | 8 W            | 203.23  |
| 20'                          | 60%                     | 110,824   | 43      | 480 V / 3 PHASE | 480 / 3 / 60                | 366           | FORWARD                                    | 8 W            | 302.72  |
| 20'                          | 40%                     | 67,489  | 29      | 480 V / 3 PHASE | 480 / 3 / 60                | 171           | FORWARD                                    | 8 W            | 392.97  |
| 20'                          | 19%                     | 30,919  | 14      | 480 V / 3 PHASE | 480 / 3 / 60                | 94            | FORWARD                                    | 8 W            | 326.95  |

| Fan Size / Impeller Diameter | Calculated % of Max CFM | CFM<br>*Tested to ANSI/AMCA Standard 230-15 HVLS* | Fan RPM | Input Power     | Voltage / Phase / Frequency | Input Power W | Direction of Operation (Forward / Reverse) | Stand By Power | Integrated Efficiency (CFM / Watt)<br>Overall Rating = 234.35 |
|------------------------------|-------------------------|---|---------|-----------------|-----------------------------|---------------|--|----------------|---|
|                              |                         |   |         |                 | 480 V / 3 PHASE             |               |  |                |   |
| 24'                          | 100%                    | 251,845   | 60      | 480 V / 3 PHASE | 480 / 3 / 60                | 1,515         | FORWARD                                    | 12 W           | 166.23  |
| 24'                          | 80%                     | 196,949   | 48      | 480 V / 3 PHASE | 480 / 3 / 60                | 838           | FORWARD                                    | 12 W           | 234.84  |
| 24'                          | 60%                     | 145,306   | 36      | 480 V / 3 PHASE | 480 / 3 / 60                | 423           | FORWARD                                    | 12 W           | 342.87  |
| 24'                          | 40%                     | 88,852  | 24      | 480 V / 3 PHASE | 480 / 3 / 60                | 193           | FORWARD                                    | 12 W           | 458.38  |
| 24'                          | 20%                     | 41,966  | 12      | 480 V / 3 PHASE | 480 / 3 / 60                | 110           | FORWARD                                    | 12 W           | 381.23  |



Entrematic certifies that the industrial model 8'-24' shown herein is licensed to bear the AMCA seal. The ratings shown are based on the tests and procedures performed in a accordance with AMCA Publication 211 and comply with the requirements of the AMCA Certified Ratings Program.

AMCA Certified ratings seal applies at free delivery only. Performance ratings do not include the effects of appurtenances (accessories).



1612 Hutton Drive, Suite 140 • Carrollton, TX 75006, USA • Tel: 866-696-2464 • Fax: 972-389-4224 • Email: hvlsfans@entrematic.com • www.epicfan.com  
A continuing research program is in effect at Entrematic. We reserve the right to incorporate product improvement at any time without prior notice. US patents pending.

©Entrematic Group AB 2020. All Rights Reserved.



E506041

EPS-CIHVLS-0420