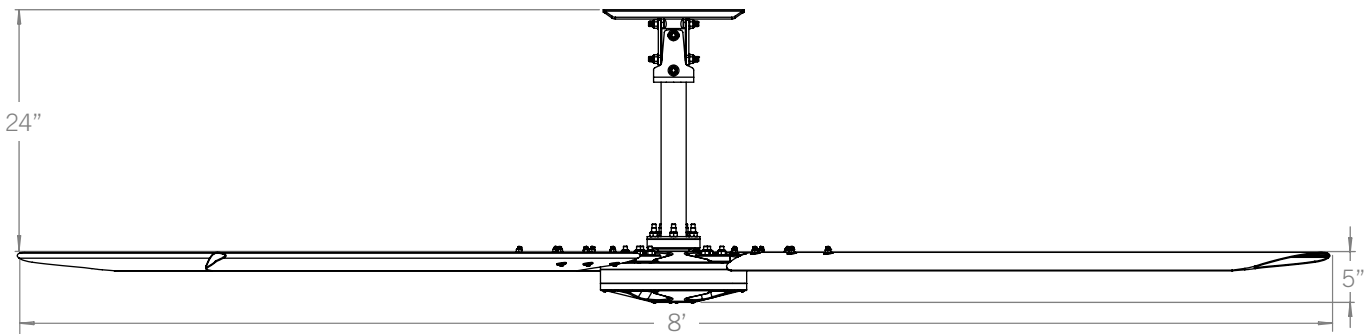


## POWER & EFFICIENCY

|                            |                         |
|----------------------------|-------------------------|
| INPUT POWER OPTIONS        | AC 1PH 100-120V 50/60Hz |
| CURRENT AT MAX SPEED (Amp) | 4.2 A @ 120v            |
| POWER (hp)                 | 5/8 HP                  |
| MAXIMUM SPEED (RPM)        | 156 RPM                 |
| MAX AFFECTED AREA          | 40 ft Dia   1,600 sqft  |

## DIMENSIONS & WEIGHT

|              |                  |
|--------------|------------------|
| FAN DIAMETER | 8 ft (2.4m)      |
| FAN WEIGHT   | 104lbs (47.3 kg) |



## MOUNTING & SAFETY

|                  |  |
|------------------|--|
| MOUNTING OPTIONS | I-beam   Direct Mount  |
| DOWNROD          | 2' Rigid Mount Downrod                                       |
| SAFETY FEATURES  | Fan Retention System   Airfoil Retention System   Fire relay |

## IN THE BOX

|          |  |
|----------|--|
| INCLUDED | Rigid Mount with pre-wired downrod   Control Panel   Install Manual   Airfoils<br>Wall Control   Mounting Hardware Kit   Communication Kit |
| OPTIONAL | 3' and 4' Rigid Mount downrod   Additional Control Cable Lengths   Glulam brackets   |

## WARRANTY & CERTIFICATIONS

|                       |   |
|-----------------------|---|
| CERTIFICATIONS        | ETL/Intertek-certified to ANSI/UL 507 and CSA<br>C22.2 No. 113 in North America |
| WARRANTY <sup>1</sup> | Limited Lifetime on Airfoils   2-year Warranty (parts only)                     |

<sup>1</sup>See complete warranty for details.