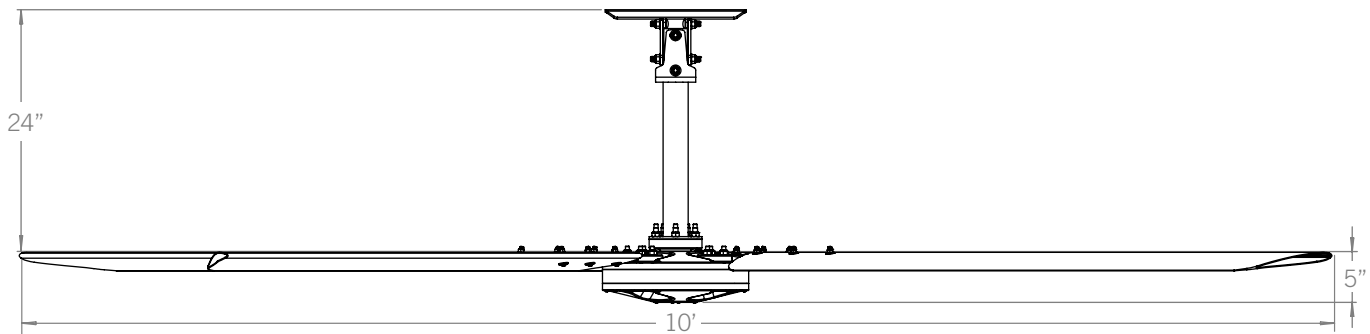


## POWER & EFFICIENCY

INPUT POWER OPTIONS	AC 1PH 100-120V 50/60Hz
CURRENT AT MAX SPEED (Amp)	7.6 A @ 120v
POWER (hp)	5/8 HP
MAXIMUM SPEED (RPM)	139 RPM
MAX AFFECTED AREA	50 ft Dia   2,500 sqft

## DIMENSIONS & WEIGHT

FAN DIAMETER	10 ft (3m)
FAN WEIGHT	108lbs (49.1 kg)



## MOUNTING & SAFETY

MOUNTING OPTIONS	I-beam   Direct Mount
DOWNROD	2' Rigid Mount Downrod
SAFETY FEATURES	Fan Retention System   Airfoil Retention System   Fire relay

## IN THE BOX

INCLUDED	Rigid Mount with pre-wired downrod   Control Panel   Install Manual   Airfoils Wall Control   Mounting Hardware Kit   Communication Kit
OPTIONAL	3' and 4' Rigid Mount downrod   Additional Control Cable Lengths   Glulam brackets

## WARRANTY & CERTIFICATIONS

CERTIFICATIONS	ETL/Intertek-certified to ANSI/UL 507 and CSA C22.2 No. 113 in North America
WARRANTY <sup>1</sup>	Limited Lifetime on Airfoils   2-year Warranty (parts only)

<sup>1</sup>See complete warranty for details.