

ENTRE/MATIC C-CLASS COMMERCIAL HVLS FAN

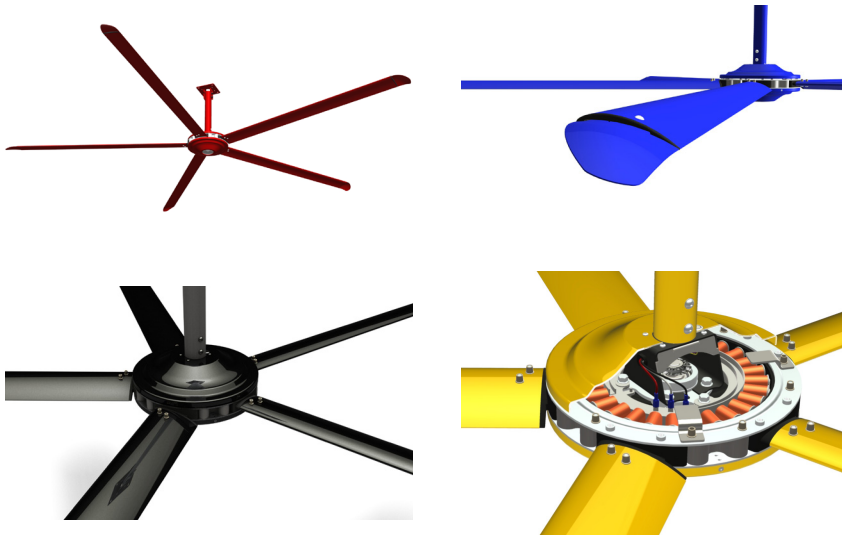
PRODUCT SPECIFICATIONS

HIGH VOLUME LOW SPEED FAN



Design Highlights

- Optimized 5-Blade profile for low speed rotary airfoil application and near ground effect
- ETL certified to UL-507
- Wireless Controls
- Reverse capability
- Capability to shut down with the fire system
- Suitable for indoor or outdoor applications
- Suitable for ceilings as low as 12 feet
- Less than 35 dBA
- Easy customization of fan to fit customers applications (powder coating options)
- Light weight
- Energy efficient
- Remote or integral Controls Module
- Patent-pending design includes unique winglet and innovative snap on blade attachment



Fan Diameter

- 6 FT (1.8 M)
- 8 FT (2.4 M)
- 10 FT (3.0 M)
- 12 FT (3.7 M)
- 14 FT (4.3 M)

Standard Configurable Colors

- Reflective White _____ RAL 9003
- Gloss Black _____ RAL 9017
- Stardust Silver _____ RAL 9006
- Cobalt Blue _____ RAL 5013
- Safety Green _____ RAL 6016
- Safety Yellow _____ RAL 1018
- Safety Orange _____ RAL 2004
- Red Baron _____ RAL 3002
- Custom Color _____

* Available colors are approximate match to global RAL color chart. Available colors can be mixed and matched. For additional information Consult Factory.

** If not selected, default color shipped is all silver with black winglets (as shown above).

Available Options

- Mounting Down Tube _____ ft.
* Standard down tube 18 in.
- iFAN™ Networked Fan Control System
- Outdoor Package
- Modbus Network
- Bacnet Network

Project Information

Job Name _____
 Address _____
 General Contractor _____
 Distributor _____
 Model _____ Quantity _____

Certified For Construction

By _____
 Company _____
 Address _____
 Date _____

C-CLASS COMMERCIAL HVLS FAN

PRODUCT SPECIFICATIONS

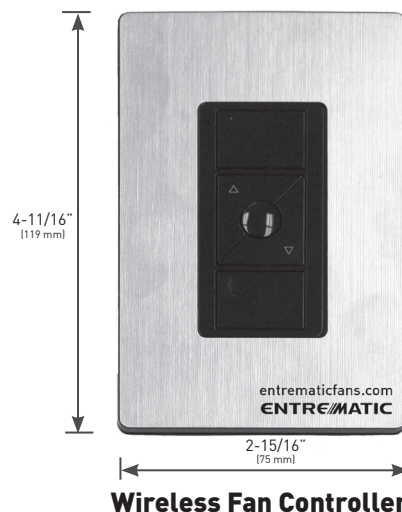
HIGH VOLUME LOW SPEED FAN

CONSTRUCTION	General Components	
	Hub Assembly	50,000 lbs. Yield High Tensile Steel
	Motor Housing	.050 3003 Aluminum, Powder coated
	Blades	6063-T6 Aluminum, Powder coated
	Blade End Winglets	6061-T6 Aluminum, Powder coated
OPERATION	Safety Components	
	Blade Attachment Retainers	50,000 lbs Yield High Tensile Steel
	Mounting Hardware	
	Standard Mount	Universal I-Beam clamp w/ swivel joint
	Additional Drop Extensions (Optional)	Up to 15 FT - 1 FT increments

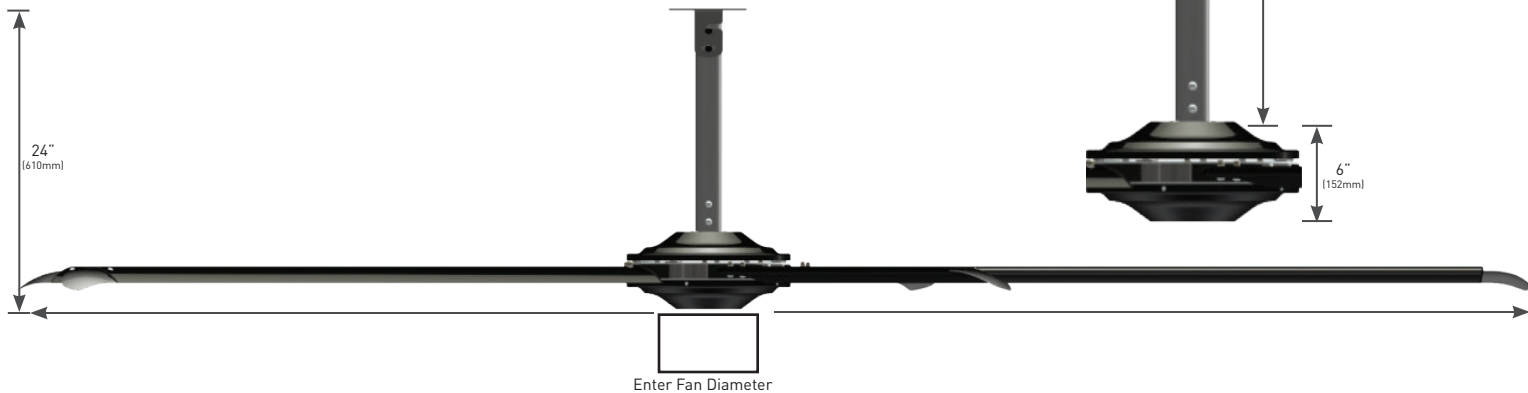
Fan Size	Energy Used	Motor	Hang Weight	RPM
6 FT	250W	400W	50 lbs [22.7 kg]	200
8 FT	250W	400W	54.5 lbs [24.7 kg]	165
10 FT	250W	400W	59 lbs [26.8 kg]	110
12 FT	250W	400W	63 lbs [28.6 kg]	80
14 FT	250W	400W	65 lbs [29.5 kg]	60

*Energy used and RPM shown above based on max speed.

OPERATION	Source Voltage	
	Standard Power	120V - 230V 1Ø
	Motor	
	Permanent Magnet Drive	
	Controls Module	
	Remote or Integral	
	Enclosure NEMA 1	
	UL Certified	
	Wireless Fan Controller	
	Standard	
WARRANTY	Warranty	
	Lifetime on Blades, Hub & Frame	
	10 Year Parts	



NACA optimized blade profile provides high lift, low drag coefficients at low velocities equating to a highly efficient profile for low speed rotary airfoils.



1612 Hutton Drive, Suite 140 • Carrollton, TX 75006, USA • Tel: 800-558-6960 • Fax: 972-389-4766 • Email: hvlsfans@entrematic.com • www.entrematicfans.com

ENTRE/MATIC

A continuing research program is in effect at Entrematic. We reserve the right to incorporate product improvement at any time without prior notice. US patents pending.

©Entrematic Group AB 2015. All Rights Reserved.

Form# EPS-FCHVLS-0615